

### J10FC-EBU J10FD-EBU

### 10K

DN1400~2000

#### SPECIFICATION

SINGLE ECCENTRIC TYPE · FLANGED TO JIS B2239 10K  
FACE-TO-FACE DIMENSION TO ISO 5752 / BS 5155 / BS EN 593  
DOUBLE-STAGE WORM GEAR OPERATOR

#### PRESSURE / TEMPERATURE RATINGS

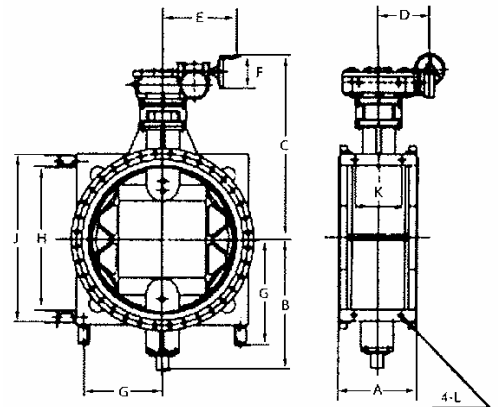
Working Pressure	1.0 Mpa
Testing Pressure	Shell : 1.5 Mpa Seat : 1.1 Mpa
Working Temperature	-20 °C to 110 °C (EPDM Seat) -10 °C to 80 °C (NBR Seat)
Suitable Media	Water, Oil & Gas

#### MATERIALS

Part	Material	JIS
Body	Cast Iron	FC 250
	Ductile Iron	FCD 400
Disc	Ductile Iron	FCD 400
Seat Ring	EPDM	
	NBR	
	Viton	
Shaft	Stainless Steel 410	SUS 410
	Stainless Steel 431	SUS 431
	Stainless Steel 316	SUS 316
Taper Pins	Stainless Steel 316	SUS 316
Key	Carbon Steel	
O-Ring	NBR	
Bushing	Luberized Bronze	

#### DIMENSIONS

Size mm	A mm	B mm	C mm	D mm	E mm	F mm	G mm	H mm	J mm	K mm
1400	710	1078	1918	840	722	480	960	1360	1500	600
1600	790	1236	2028	840	722	500	1050	1450	1600	680
1800	870	1426	2294	982	897	500	1197	1740	1900	760
2000	950	1486	2365	987	932	500	1320	2000	2000	848



#### Note:

1. Design and specifications are subject to change without prior notice.
2. Other specifications and flange standards are available upon request.
3. Actuator mounting flange conforms to ISO 5211 drilling.
4. The butterfly valve can be supplied with electric or pneumatic actuator.